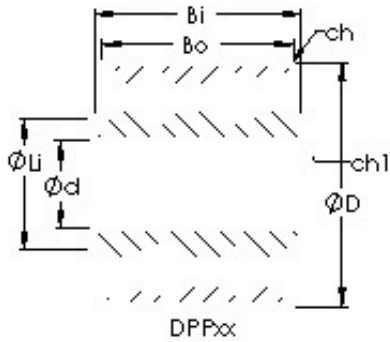




Shandong Chik Bearing Co., Ltd.



AST DPP3 deep groove ball bearings

Bearing No. DPP3

Bore Diameter	4,826 mm
Outer Diameter	19,6596 mm
Bearing Type	DPPxx
Bore Dia (d)	0.1900
Outer Dia (D)	0.7740
Outer Width (Bo)	0.4730
Inner Width (Bi)	0.4950
Dynamic Load Rating (Cr)	2,830
Static Load Rating (Cor)	2,950
Max. Shaft Shoulder Dia. Inner (Li)	0.3
Ball Qty	20
Ball Dia (Dw)	0.1560
Max. shaft corner radius, or 45 deg. chamfer (ch1)	0.005
Max. housing corner radius, or 45 deg. chamfer (ch)	0.032
Material	52100 Chrome steel or equivalent

DPP3 Bearing 2D drawings and 3D CAD models