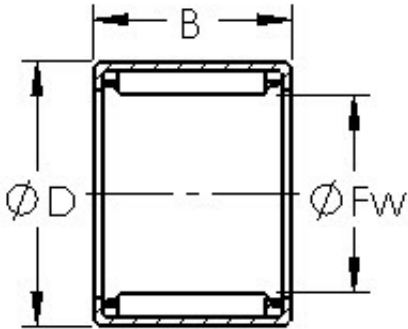




Shandong Chik Bearing Co., Ltd.



AST HK1812 needle roller bearings

Bearing No. HK1812

Size	18x24x12 mm
Bore Diameter	18 mm
Outer Diameter	24 mm
Width	12 mm
Bearing Type	Cage Retained Rollers
Outer Dia (D)	24.0000
Width (B)	12.0000
Dynamic Load Rating (Cr)	8,100
Static Load Rating (Cor)	10,900
Max Speed (Grease) (X1000 RPM)	13,000
Shaft (Fw)	18.000
Weight (g)	13.00
Material - Drawn cup: Hardened carbon steel alloy, Rollers	52100 Chrome steel or equivalent

HK1812 Bearing 2D drawings and 3D CAD models