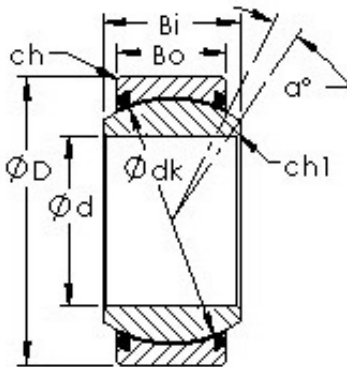




Shandong Chik Bearing Co., Ltd.



AST GEZ120ET-2RS plain bearings

Bearing No. GEZ120ET-2RS

Bore Diameter	120,65 mm
Outer Diameter	187,325 mm
Bearing Type	sealed
Bore Dia (d)	4.7500
Outer Dia (D)	7.3750
Outer Width (Bo)	3.5620
Inner Width (Bi)	4.1560
Dynamic Load Rating (Cr)	528,268
Static Load Rating (Cor)	1,270,091
Max. shaft corner radius, or 45 deg. chamfer (ch1)	0.040
Max. housing corner radius, or 45 deg. chamfer (ch)	0.040
Spherical Diameter (dk or Dk)	6.830
Mis-alignment Angle (a deg.)	6
Weight (g)	11,500.00
Material	52100 Chrome steel, or equivalent

GEZ120ET-2RS Bearing 2D drawings and 3D CAD models