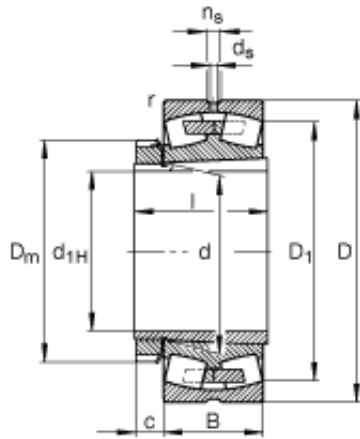




Shandong Chik Bearing Co., Ltd.



90 mm x 160 mm x 52,4 mm 90 mm x 160 mm x 52,4 mm FAG 23218-E1A-K-M + H2318 spherical roller bearings

Bearing No. 23218-E1A-K-M + H2318

23218-E1A-K-M + H2318 Bearing 2D drawings and 3D CAD models

Size	80x160x52.4 mm
Bore Diameter	80 mm
Outer Diameter	160 mm
Width	52,4 mm
d_{1H}	80 mm
D	160 mm
B	52,4 mm
$B_{a\ min}$	18 mm
c	18 mm
D_1	140 mm
$D_{a\ max}$	149 mm
D_m	120 mm
d	90 mm
$d_{a\ max}$	107 mm
$d_{b\ min}$	100 mm
d_s	3,2 mm
l	86 mm
n_s	6,5 mm
$r_{a\ max}$	2 mm
r_{min}	2 mm
	H2318 / Adapter sleeve
m	4,3 kg / Weight
m_1	1,71 kg / Weight, adapter



Shandong Chik Bearing Co., Ltd.

	sleeve
C_r	445000 N
e	0,31
Y_1	2,2
Y_2	3,27
C_{or}	520000 N / Static load rating (radial)
Y_0	2,15
n_G	4250 1/min / Limiting speed
n_B	2700 1/min / Reference speed