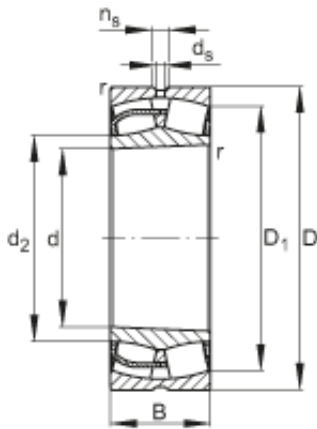




## Shandong Chik Bearing Co., Ltd.



260 mm x 400 mm x 140 mm 260 mm x 400 mm  
x 140 mm FAG 24052-E1-K30 spherical roller  
bearings

Bearing No. 24052-E1-K30

24052-E1-K30 Bearing 2D drawings and 3D CAD  
models

Size	260x400x140 mm
Bore Diameter	260 mm
Outer Diameter	400 mm
Width	140 mm
d	260 mm
D	400 mm
B	140 mm
D <sub>1</sub>	349 mm
D <sub>a max</sub>	385,4 mm
d <sub>2</sub>	288,3 mm
d <sub>a min</sub>	274,6 mm
d <sub>s</sub>	6,3 mm
n <sub>s</sub>	12,2 mm
r <sub>a max</sub>	3 mm
r <sub>min</sub>	4 mm
m	61,2 kg / Weight
C <sub>r</sub>	2210000 N / Dynamic load rating (radial)
e	0,32
Y <sub>1</sub>	2,09
Y <sub>2</sub>	3,11
C <sub>0r</sub>	3650000 N / Static load rating (radial)
Y <sub>0</sub>	2,04



## Shandong Chik Bearing Co., Ltd.

$n_G$	1510 1/min / Limiting speed
$n_B$	890 1/min
$C_{ur}$	335000 N / Fatigue limit load, radial