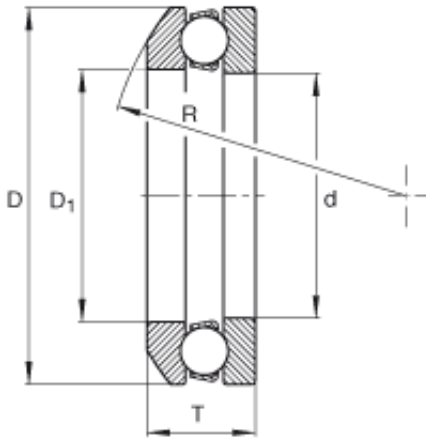




# Shandong Chik Bearing Co., Ltd.



502 Bearing 2D drawings and 3D CAD models

## INA 502 thrust ball bearings

Bearing No. 502

Size	15x35x20 mm
Bore Diameter	15 mm
Outer Diameter	35 mm
Width	20 mm
d	0,591 inch
d	15 mm
D	1,378 inch
D	35 mm
T	0,787 inch
T	20 mm
D <sub>1</sub>	0,669 inch
D <sub>1</sub>	17 mm
R	30 mm
m	0,271 lbs / Weight
m	0,123 kg / Weight
C <sub>a</sub>	5060 lbf / Dynamic load rating (axial)
C <sub>a</sub>	22500 N / Dynamic load rating (axial)
C <sub>0a</sub>	6970 lbf / Static load rating (axial)
C <sub>0a</sub>	31000 N / Static load rating (axial)