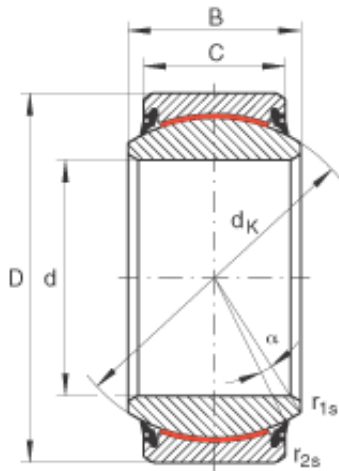




Shandong Chik Bearing Co., Ltd.



GE200-UK-2RS Bearing 2D drawings and 3D CAD models

INA GE200-UK-2RS plain bearings

Bearing No. GE200-UK-2RS

Size	200x290x130 mm
Bore Diameter	200 mm
Outer Diameter	290 mm
Width	130 mm
C	100 mm
$D_{a \min}$	239 mm
$d_{a \max}$	213,5 mm
d_K	250 mm
$r_{1s \min}$	1,1 mm
$r_{2s \min}$	1,1 mm
alf (°)	7
Weight (kg)	26
C_r (N)	6000000
C_{Or} (N)	10000000
Category	Spherical Plain Bearings - Radial
Inventory	0.0
Manufacturer Name	SCHAEFFLER GROUP
Minimum Buy Quantity	N/A
Weight / Kilogram	0
Product Group	B04264
Component	Complete with Outer and Inner Ring
Self Aligning	Yes
Rolling Element	Spherical Plain Bearing
Material - Outer Member	Steel



Shandong Chik Bearing Co., Ltd.

Material - Ball	Steel
Material - Liner	PTFE
Relubricatable	No
Enclosure	2 Seals
Other Features	2 Piece Axially Split Outer Ring
Long Description	200MM Bore; 100MM Housing Width; 290MM Outside Diameter; Complete with Outer and Inner Ring; Self Aligning; Spherical Plain Bearing; Steel Outer Member; Steel Ball; PTFE Liner; 2 Seals; 130MM Overall
Inch - Metric	Metric
Category	Plain Bearings Spherical Radial
UNSPSC	31171515
Harmonized Tariff Code	8483.30.80.70
Noun	Bearing
Keyword 3	Spherical
Keyword String	Plain Radial Spherical
Manufacturer URL	http://www.ina.com
Manufacturer Item Number	GE200UK2RS
Weight / LBS	61.74
Bore	7.874 Inch 200 Millimeter
Housing Width	3.937 Inch 100 Millimeter
Overall Width	5.118 Inch 130 Millimeter
Outside Diameter	11.417 Inch 290 Millimeter