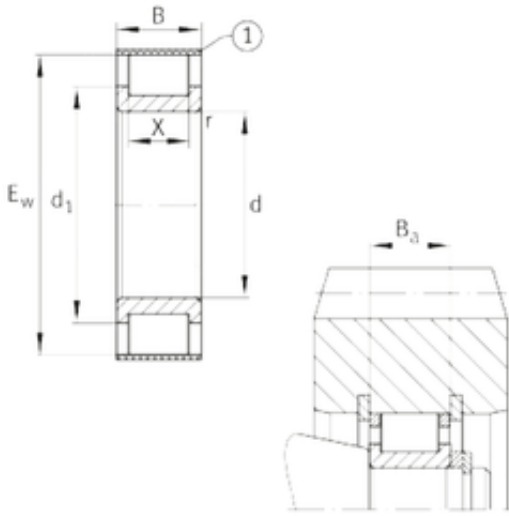




Shandong Chik Bearing Co., Ltd.

INA RSL182222-A cylindrical roller bearings

Bearing No. RSL182222-A



RSL182222-A Bearing 2D drawings and 3D CAD models

Size	110x177x53 mm
Bore Diameter	110 mm
Outer Diameter	177 mm
Width	53 mm
d	110 mm
Ew	177 mm
B	53 mm
Ba	48,6 mm
X	36 mm
d1	137 mm
r min.	2,1 mm
Weight	4,22 Kg
Basic dynamic load rating (C)	450 kN