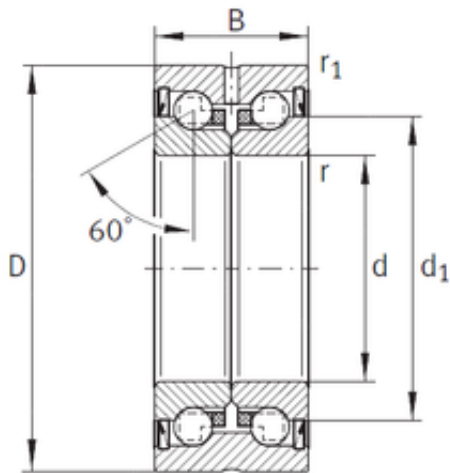




## Shandong Chik Bearing Co., Ltd.



10 mm x 34 mm x 20 mm 10 mm x 34 mm x 20 mm INA ZKLN1034-2Z thrust ball bearings

Bearing No. ZKLN1034-2Z

ZKLN1034-2Z Bearing 2D drawings and 3D CAD models

Size	10x34x20 mm
Bore Diameter	10 mm
Outer Diameter	34 mm
Width	20 mm
d	10 mm
D	34 mm
B	20 mm
C	20 mm
Angle (?)	60 °
d1	21 mm
r min.	0,3 mm
r1 min.	0,6 mm
Weight	0,1 Kg
Basic dynamic load rating (C)	13,4 kN
Basic static load rating (C0)	18,8 kN
Category	Angular Contact Ball Bearings
Inventory	0.0
Manufacturer Name	SCHAEFFLER GROUP
Minimum Buy Quantity	N/A
Weight / Kilogram	0.12
Product Group	B00152
Enclosure	2 Metal Shields
Flush Ground	No
Rolling Element	Ball Bearing



## Shandong Chik Bearing Co., Ltd.

Number of Rows of Balls	Double Row
Precision Class	ABEC 1   ISO P0
Maximum Capacity / Filling Slot	No
Snap Ring	No
Cage Material	Plastic
Contact Angle	60 Degree
Internal Clearance	C0-Medium
Number of Bearings	1 (Single)
Inch - Metric	Metric
Long Description	10MM Bore; 34MM Outside Diameter; 20MM Width; 2 Metal Shields; No Flush Ground; Ball Bearing; Double Row of Balls; ABEC 1   ISO P0; No Filling Slot; No Snap Ring; C0-Medium; Plastic Cage; 60 Degree; 1
Other Features	With Fixing Holes
Category	Angular Contact Ball Bearing
UNSPSC	31171531
Harmonized Tariff Code	8482.10.50.28
Noun	Bearing
Keyword String	Angular Contact
Manufacturer URL	<a href="http://www.ina.com">http://www.ina.com</a>
Weight / LBS	0.22046
Width	0.787 Inch   20 Millimeter
Bore	0.394 Inch   10 Millimeter
Outside Diameter	1.339 Inch   34 Millimeter