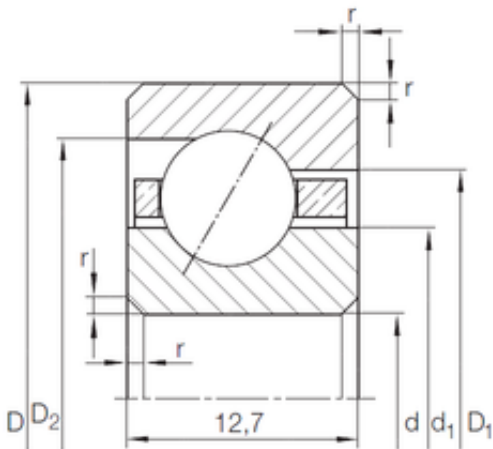




## Shandong Chik Bearing Co., Ltd.

457,2 mm x 482,6 mm x 12,7 mm 457,2 mm x 482,6 mm x 12,7 mm INA CSED 1803) angular contact ball bearings



Bearing No. CSED 1803)

Size	457.2x482.6x12.7 mm
Bore Diameter	457,2 mm
Outer Diameter	482,6 mm
Width	12,7 mm
d	457,2 mm
D	482,6 mm
B	12,7 mm
C	12,7 mm
d1	466,6 mm
r min.	1,5 mm
D1	473,2 mm
D2	475,3 mm
Weight	1,5 Kg
Basic dynamic load rating (C)	21,9 kN
Basic static load rating (C0)	60 kN

CSED 1803) Bearing 2D drawings and 3D CAD models