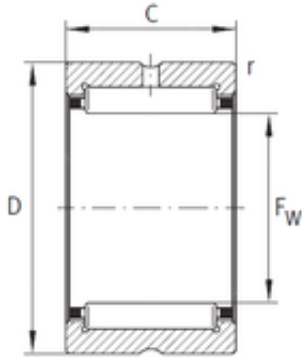




# Shandong Chik Bearing Co., Ltd.

## INA NKS20-XL needle roller bearings



NKS20-XL Bearing 2D drawings and 3D CAD models

Bearing No. NKS20-XL

Size	20x32x20 mm
Bore Diameter	20 mm
Outer Diameter	32 mm
Width	20 mm
F <sub>w</sub>	20 mm
D	32 mm
C	20 mm
r min.	0,6 mm
Weight	0,0487 Kg
Basic dynamic load rating (C)	26 kN
Basic static load rating (C <sub>0</sub> )	25 kN
Fatigue load limit (P <sub>u</sub> )	4,4
Reference speed	14 000 r/min