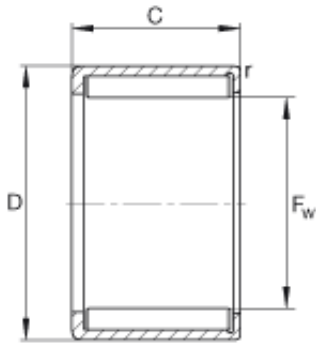




# Shandong Chik Bearing Co., Ltd.



## INA HN0808 needle roller bearings

Bearing No. HN0808

Size	8x12x8 mm
Bore Diameter	8 mm
Outer Diameter	12 mm
Width	8 mm
$F_w$	8 mm
D	12 mm
C - 8 mm / Tolerance: -0,3	8 mm / Tolerance: 0,3
$r_{min}$	0,4 mm
m	3 g / Weight
$C_r$	5000 N / Dynamic load rating (radial)
$C_{0r}$	6700 N / Static load rating (radial)
$C_{ur}$	870 N / Fatigue limit load, radial
$n_G$	16900 1/min / Limiting speed
$n_B$	16500 1/min / Reference speed

HN0808 Bearing 2D drawings and 3D CAD models