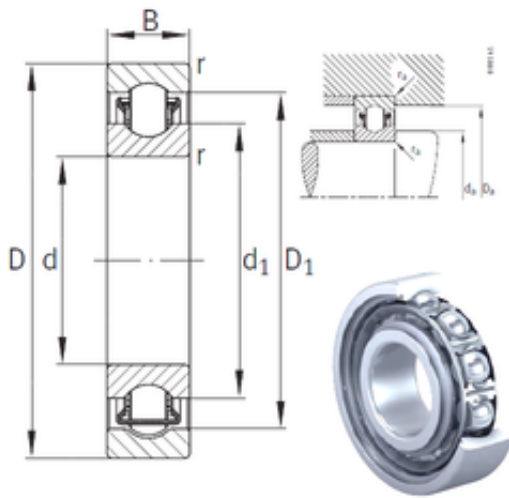




Shandong Chik Bearing Co., Ltd.



BXRE003 Bearing 2D drawings and 3D CAD models

17 mm x 35 mm x 10 mm 17 mm x 35 mm x 10 mm INA BXRE003 needle roller bearings

Bearing No. BXRE003

Size	17x35x10 mm
Bore Diameter	17 mm
Outer Diameter	35 mm
Width	10 mm
d	17 mm
D	35 mm
B	10 mm
C	10 mm
d1	23,6 mm
r min.	0,3 mm
D1	29,1 mm
da min.	19 mm
Da max.	33 mm
ra max.	0,3 mm
Weight	0,042 Kg
Basic dynamic load rating (C)	8,8 kN
Basic static load rating (C0)	5,8 kN
Fatigue load limit (Pu)	295
Reference speed	15 200 r/min