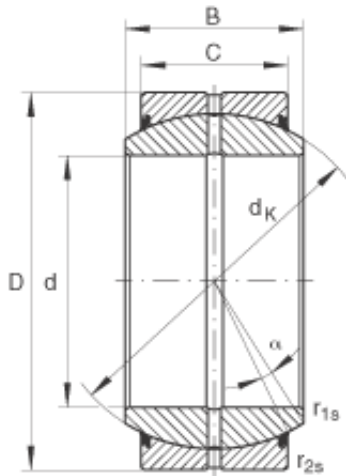




# Shandong Chik Bearing Co., Ltd.



## INA GE320-DO plain bearings

Bearing No. GE320-DO

|                |                |
|----------------|----------------|
| Size           | 320x440x160 mm |
| Bore Diameter  | 320 mm         |
| Outer Diameter | 440 mm         |
| Width          | 160 mm         |
| C              | 135 mm         |
| $D_{a \min}$   | 361 mm         |
| $d_{a \max}$   | 344,6 mm       |
| $d_K$          | 380 mm         |
| $r_{1s \min}$  | 1,1 mm         |
| $r_{2s \min}$  | 3 mm           |
| alf ( ° )      | 4              |
| Weight (kg)    | 76,4           |
| $C_r$ (N)      | 4370000        |
| $C_{0r}$ (N)   | 21900000       |

GE320-DO Bearing 2D drawings and 3D CAD models