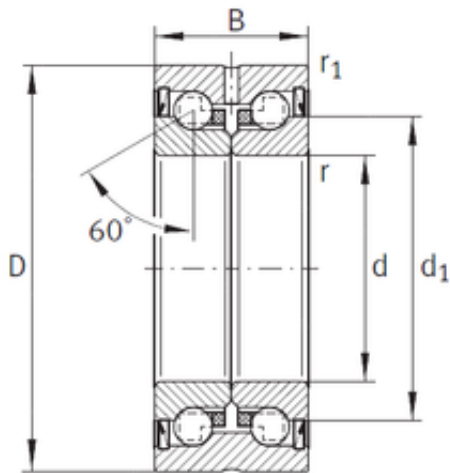




Shandong Chik Bearing Co., Ltd.



25 mm x 57 mm x 28 mm 25 mm x 57 mm x 28 mm INA ZKLN2557-2Z thrust ball bearings

Bearing No. ZKLN2557-2Z

ZKLN2557-2Z Bearing 2D drawings and 3D CAD models

Size	25x57x28 mm
Bore Diameter	25 mm
Outer Diameter	57 mm
Width	28 mm
d	25 mm
D	57 mm
B	28 mm
C	28 mm
Angle (?)	60 °
d1	40,5 mm
r min.	0,3 mm
r1 min.	0,6 mm
Weight	0,34 Kg
Basic dynamic load rating (C)	27,5 kN
Basic static load rating (C0)	55 kN
Category	Angular Contact Ball Bearings
Inventory	0.0
Manufacturer Name	SCHAEFFLER GROUP
Minimum Buy Quantity	N/A
Weight / Kilogram	0.407
Product Group	B00152
Enclosure	2 Metal Shields
Flush Ground	No
Rolling Element	Ball Bearing



Shandong Chik Bearing Co., Ltd.

Number of Rows of Balls	Double Row
Precision Class	ABEC 1 ISO P0
Maximum Capacity / Filling Slot	No
Snap Ring	No
Cage Material	Plastic
Contact Angle	60 Degree
Internal Clearance	C0-Medium
Number of Bearings	1 (Single)
Inch - Metric	Metric
Long Description	25MM Bore; 57MM Outside Diameter; 28MM Width; 2 Metal Shields; No Flush Ground; Ball Bearing; Double Row of Balls; ABEC 1 ISO P0; No Filling Slot; No Snap Ring; C0-Medium; Plastic Cage; 60 Degree; 1
Other Features	With Fixing Holes
Category	Angular Contact Ball Bearing
UNSPSC	31171531
Harmonized Tariff Code	8482.10.50.28
Noun	Bearing
Keyword String	Angular Contact
Manufacturer URL	http://www.ina.com
Weight / LBS	0.74957
Width	1.102 Inch 28 Millimeter
Bore	0.984 Inch 25 Millimeter
Outside Diameter	2.244 Inch 57 Millimeter