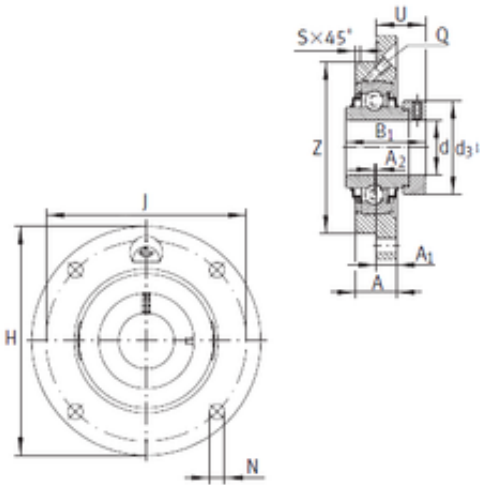




Shandong Chik Bearing Co., Ltd.

INA RME090 bearing units

Bearing No. RME090



RME090 Bearing 2D drawings and 3D CAD models

Bore Diameter	90 mm
d	90 mm
U	62,5 mm
Thread (Q)	Rp1/8
Z	220 mm
d3	132 mm
A	50 mm
A1	22 mm
B1	101 mm
H	300 mm
J	260 mm
N	22 mm
S	6 mm
A2	3 mm
Weight	12,7 Kg
Basic dynamic load rating (C)	143 kN
Category	Flange Block Bearings
Inventory	0.0
Manufacturer Name	SCHAEFFLER GROUP
Minimum Buy Quantity	N/A
Weight / Kilogram	18.034
Product Group	M06110
Number of Mounting Holes	4
Mounting Method	Eccentric Collar
Housing Style	4 Bolt Round Flange Cartridge



Shandong Chik Bearing Co., Ltd.

Rolling Element	Ball Bearing
Housing Material	Cast Iron
Expansion / Non-expansion	Non-expansion
Mounting Bolts	22 Millimeter
Relubricatable	Yes
Insert Part Number	GNE90KRRB-FA107
Seals	Double Land Riding Rubber Contact
Housing Configuration	1 Piece Solid
Pilot Configuration	With Pilot
Inch - Metric	Metric
Long Description	4 Bolt Round Flange Cartridge; 90MM Bore; 260.2MM Bolt Circle; 183.8MM Bolt Spacing; 1 Piece Solid; Eccentric Collar Mount; Cast Iron; Ball Bearing; 101MM Length Thru Bore; Relubricatable; Double Land
Other Features	Single Row Centering Spigot With Set Screw
Category	Flange Block
UNSPSC	31171501
Harmonized Tariff Code	8483.20.40.40
Noun	Bearing
Keyword String	Flanged
Manufacturer URL	http://www.ina.com
Manufacturer Item Number	RME090
Weight / LBS	27.999
Nominal Bolt Circle Diameter Round	10.2 Inch 260.2 Millimeter
Length Thru Bore	3.976 Inch 101 Millimeter
Cartridge Pilot Depth	0.866 Inch 22 Millimeter
Bore	3.543 Inch 90 Millimeter
Cartridge Pilot Diameter	8.661 Inch 220 Millimeter



Shandong Chik Bearing Co., Ltd.

Bolt Spacing	7.2 Inch 183.8 Millimeter
--------------	-----------------------------