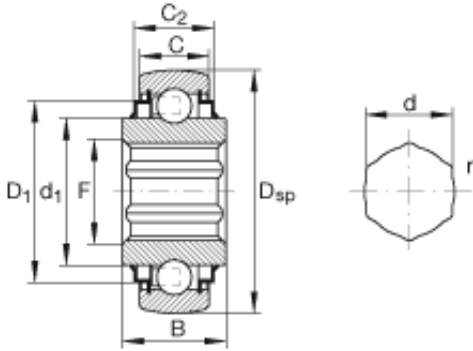




# Shandong Chik Bearing Co., Ltd.



SK102-207-KRR-B-AH10 Bearing 2D drawings and 3D CAD models

## INA SK102-207-KRR-B-AH10 deep groove ball bearings

Bearing No. SK102-207-KRR-B-AH10

Size	28.5750x72x37.7 mm
Bore Diameter	28,5750 mm
Outer Diameter	72 mm
Width	37,7 mm
d	28,5750 mm / Tolerance: +0,175 / +0,03
d	1 1/8 inch
D <sub>SP</sub>	72 mm
B	37,7 mm
C	17 mm
C <sub>2</sub>	20,5 mm
D <sub>1</sub>	60,3 mm
d <sub>1</sub>	46,8 mm
F	38 mm
r	0,25 mm
m	0,45 kg / Weight
n <sub>G Fett</sub>	800 1/min / Limiting speed for grease lubrication
C <sub>r</sub>	25500 N / Dynamic load rating (radial)
C <sub>0r</sub>	15300 N / Static load rating (radial)
Category	Bearings
Inventory	0.0
Manufacturer Name	SCHAEFFLER GROUP
Minimum Buy Quantity	N/A



## Shandong Chik Bearing Co., Ltd.

Weight / Kilogram	0.479
Product Group	M06110