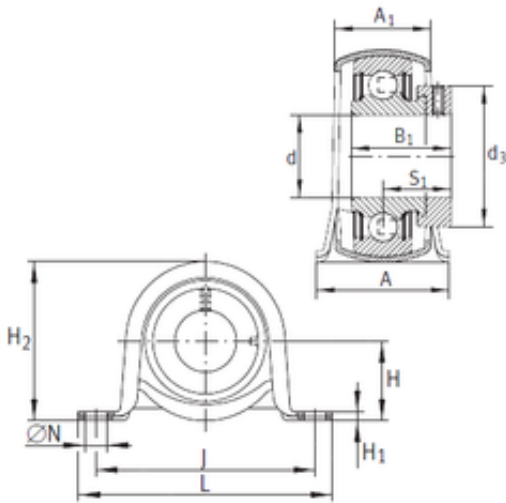




Shandong Chik Bearing Co., Ltd.



PB20 Bearing 2D drawings and 3D CAD models

INA PB20 bearing units

Bearing No. PB20

Bore Diameter	20 mm
d	20 mm
S1	23,5 mm
d3	33 mm
A	31,8 mm
A1	22,3 mm
B1	31 mm
H	25,4 mm
H1	3,3 mm
H2	50,1 mm
J	76 mm
L	98,4 mm
N	9,5 mm
Category	Pillow Block Bearings
Inventory	0.0
Manufacturer Name	SCHAEFFLER GROUP
Minimum Buy Quantity	N/A
Weight / Kilogram	0.27
EAN	4012802792904
Product Group	M06110
Number of Mounting Holes	2
Mounting Method	Eccentric Collar
Housing Style	2 Bolt Pillow Block
Rolling Element	Ball Bearing
Housing Material	Stamped Steel
Expansion / Non-expansion	Non-expansion



Shandong Chik Bearing Co., Ltd.

Mounting Bolts	9.5 Millimeter
Relubricatable	No
Insert Part Number	RAE20NPPB
Seals	Double Lip Contact
Housing Configuration	1 Piece Solid
Inch - Metric	Metric
Other Features	Single Row Corrotect Coating With Set Screw
Long Description	2 Bolt Pillow Block; 20MM Bore; 25.4MM Base to Center Height; Eccentric Collar Mount; Ball Bearing; No Relubricatable; Stamped Steel; Double Lip Contact; Non-expansion
Category	Pillow Block
UNSPSC	31171511
Harmonized Tariff Code	8483.20.40.40
Noun	Bearing
Keyword String	Pillow Block
Manufacturer URL	http://www.ina.com
Manufacturer Item Number	PB20
Weight / LBS	0.595
Bolt Spacing Maximum	0 Inch 0Millimeter
Bore	0.787 Inch 20 Millimeter
Base to Center Height	1 Inch 25.4 Millimeter
Bolt Spacing Minimum	0 Inch 0Millimeter
Length Thru Bore	1.22 Inch 31 Millimeter
Actual Bolt Center to Center	3 Inch 76Millimeter
Nominal Bolt Center to Center	3 Inch 76 Millimeter