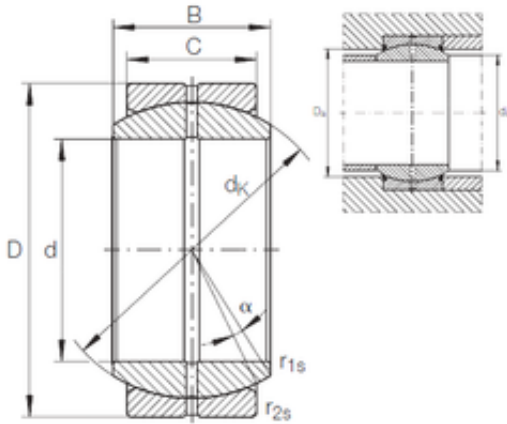




# Shandong Chik Bearing Co., Ltd.

17 mm x 30 mm x 14 mm 17 mm x 30 mm x 14 mm INA GE 17 DO plain bearings



Bearing No. GE 17 DO

Size	17x30x14 mm
Bore Diameter	17 mm
Outer Diameter	30 mm
Width	14 mm
d	17 mm
D	30 mm
B	14 mm
C	10 mm
dk	25 mm
r1 min.	0,3 mm
r2 min.	0,3 mm
da max	20,7 mm
Da min	24 mm
Angle	10 °
Weight	0,041 Kg
Basic dynamic load rating (C)	21,2 kN

GE 17 DO Bearing 2D drawings and 3D CAD models