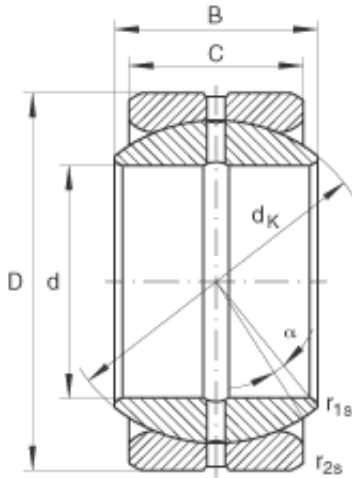




Shandong Chik Bearing Co., Ltd.



GE38-ZO Bearing 2D drawings and 3D CAD models

INA GE38-ZO plain bearings

Bearing No. GE38-ZO

Size	38.1x61.913x33.325 mm
Bore Diameter	38,1 mm
Outer Diameter	61,913 mm
Width	33,325 mm
C	28,575 mm
$D_{a \min}$	46,5 mm
$d_{a \max}$	41,2 mm
d_K	53 mm
$r_{1s \min}$	0,6 mm
$r_{2s \min}$	1 mm
alf (°)	6
Weight (kg)	0,4
C_r (N)	121000
C_{Or} (N)	364000
Category	Spherical Plain Bearings - Radial
Inventory	0.0
Manufacturer Name	SCHAEFFLER GROUP
Minimum Buy Quantity	N/A
Weight / Kilogram	0.479
Product Group	B04264
Self Aligning	Yes
Rolling Element	Spherical Plain
Material - Outer Member	Steel
Material - Ball	Steel
Material - Liner	Not Applicable



Shandong Chik Bearing Co., Ltd.

Relubricatable	Yes
Enclosure	Open
Other Features	2 Piece Single Axial Split in Outer Ring
Long Description	1-1/2" Bore; 1-1/8" Housing Width; 2-7/16" Outside Diameter; Steel Outer Member; Steel Ball; No Liner; 1-5/16" Overall Width; Relubricatable
Inch - Metric	Inch
Category	Plain Bearings Spherical Radial
UNSPSC	31171515
Harmonized Tariff Code	8483.30.80.70
Noun	Bearing
Keyword 3	Spherical
Keyword String	Plain Spherical Radial
Manufacturer URL	http://www.ina.com
Manufacturer Item Number	GE38ZO
Weight / LBS	0.934
Housing Width	1.125 Inch 28.575 Millimeter
Outside Diameter	2.438 Inch 61.925 Millimeter
Bore	1.5 Inch 38.1 Millimeter
Overall Width	1.312 Inch 33.325 Millimeter