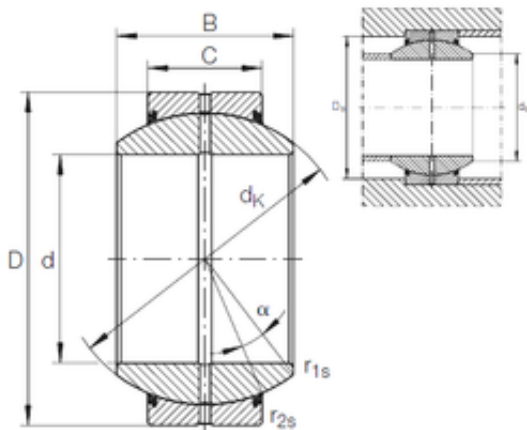




Shandong Chik Bearing Co., Ltd.

260 mm x 400 mm x 205 mm INA GE 260 FO-2RS plain bearings

Bearing No. GE 260 FO-2RS



GE 260 FO-2RS Bearing 2D drawings and 3D CAD models

Size	260x400x205 mm
Bore Diameter	260 mm
Outer Diameter	400 mm
Width	205 mm
d	260 mm
D	400 mm
B	205 mm
C	120 mm
dk	350 mm
r1 min.	1,1 mm
r2 min.	1,1 mm
da max	283,6 mm
Da min	342 mm
Angle	15 °
Weight	81,7 Kg
Basic dynamic load rating (C)	3550 kN