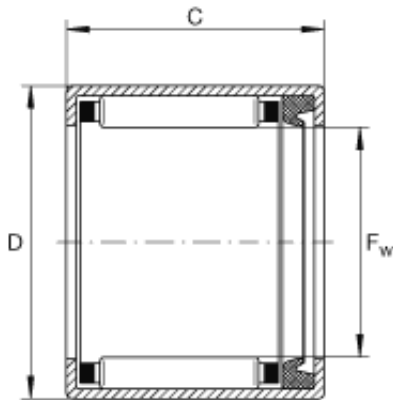




Shandong Chik Bearing Co., Ltd.



INA SCH913-P needle roller bearings

Bearing No. SCH913-P

Size	14.288x20.638x20.638 mm
Bore Diameter	14,288 mm
Outer Diameter	20,638 mm
Width	20,638 mm
F_w	9/16 inch
F_w	14,288 mm
D	0,813 inch
D	20,638 mm
C	0,813 inch
C	20,638 mm
m	0,042 lbs / Weight
m	19 g / Weight
C_r	3240 lbf / Dynamic load rating (radial)
C_r	14400 N / Dynamic load rating (radial)
C_{0r}	4270 lbf / Static load rating (radial)
C_{0r}	19000 N / Static load rating (radial)
n_G	16800 1/min / Limiting speed

SCH913-P Bearing 2D drawings and 3D CAD models