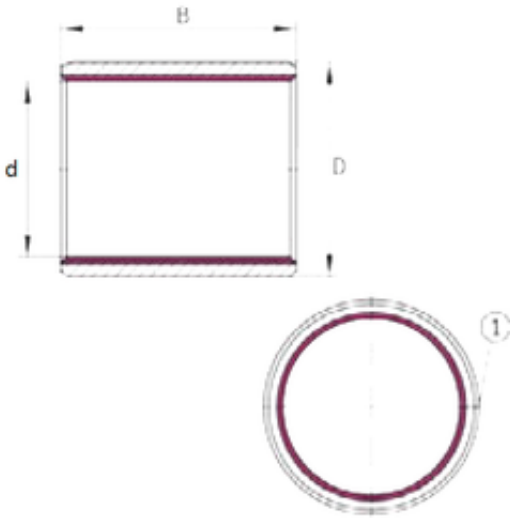




Shandong Chik Bearing Co., Ltd.



55 mm x 60 mm x 60 mm INA EGB5560-E40
plain bearings

Bearing No. EGB5560-E40

EGB5560-E40 Bearing 2D drawings and 3D CAD models

Size	55x60x60 mm
Bore Diameter	55 mm
Outer Diameter	60 mm
Width	60 mm
d	55 mm
D	60 mm
B	60 mm
Category	Sleeve Bearings
Inventory	0.0
Manufacturer Name	SCHAEFFLER GROUP
Minimum Buy Quantity	N/A
Weight / Kilogram	0.248
EAN	4012802681574
Product Group	B04264
Profile	Bushing No Flange Split
Material Description	Steel Backing, Bronze Innerstructure, PTFE-lead Overlay
Material	Permaglide P10
Inch - Metric	Metric
Long Description	55MM Nominal Bore; 60MM Nominal Outside Diameter; 60MM Length Thru Bore; Bushing No Flange Split Profile; Steel Backing, Bronze Innerstructure, PTFE-lead Overlay; Permaglide P10



Shandong Chik Bearing Co., Ltd.

	Material
Category	Sleeve Bearings
UNSPSC	31171515
Harmonized Tariff Code	84833080
Noun	Bearing
Keyword String	Plain
Manufacturer URL	http://www.ina.com
Manufacturer Item Number	PAP5560P10
Weight / LBS	0.546
Nominal Outside Diameter	2.362 Inch 60 Millimeter
Nominal Bore	2.165 Inch 55 Millimeter
Length Thru Bore	2.362 Inch 60 Millimeter