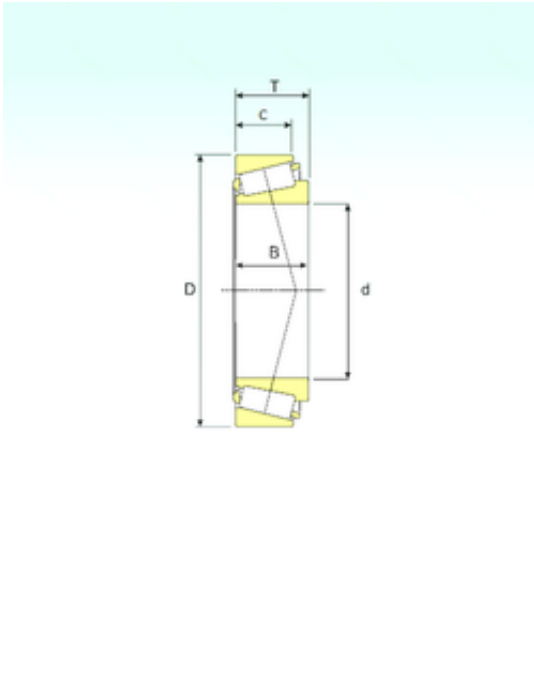




## Shandong Chik Bearing Co., Ltd.



31328 Bearing 2D drawings and 3D CAD models

140 mm x 300 mm x 70 mm ISB 31328 tapered roller bearings

Bearing No. 31328

Size	140x300x77 mm
Bore Diameter	140 mm
Outer Diameter	300 mm
Width	77 mm
d	140 mm
D	300 mm
T	77 mm
B	70 mm
C	47 mm
Weight	24,5 Kg
Basic dynamic load rating (C)	679 kN
Basic static load rating (C0)	882 kN
(Grease) Lubrication Speed	1683 r/min